

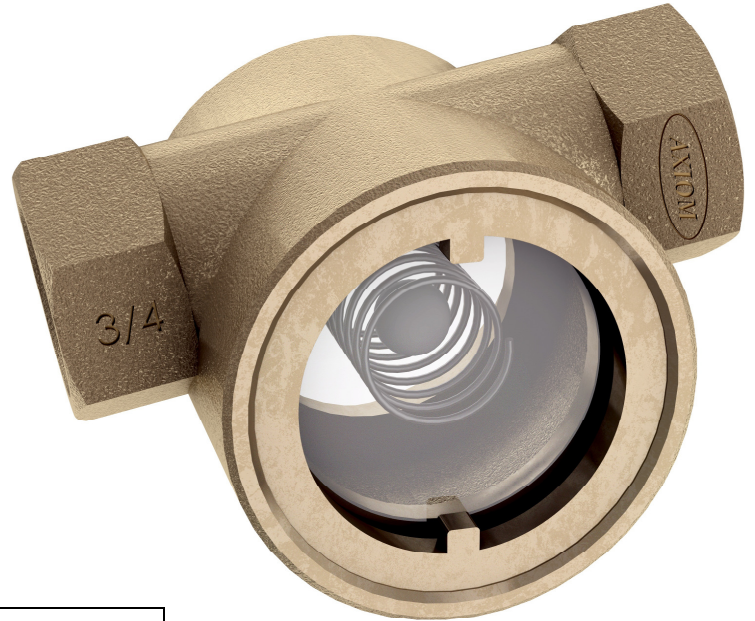


INDUSTRIES LTD.

ASF1 SERIES SIGHT FLOW INDICATOR

MATERIAL

Body	Brass (JIS YBSC3)
O-Ring	EPDM
Window	Tempered borosilicate glass
Cage	S.S. 304
Ball	TPX
Washer	Cork (non-wetted part)



SPECIFICATIONS

Max temperature	200°F (93°C)
Max pressure	125psi (860kPa)
Connection	Threaded FNPT size ¾” or 1”
Compatible fluids	Water, propylene and ethylene glycol, methanol and ethanol in concentrations up to 50%. Not for potable water.

FEATURES and BENEFITS

- *Mounts in any orientation*
- *Each sight flow indicator is inspected and pressure tested*
- *Double window*
- *Buoyant TPX ball movement can be seen at flow rates less than 1 GPM*

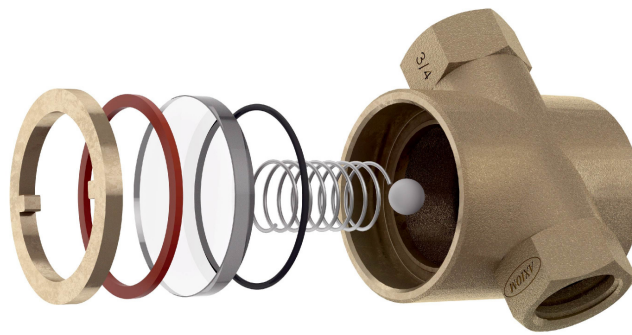
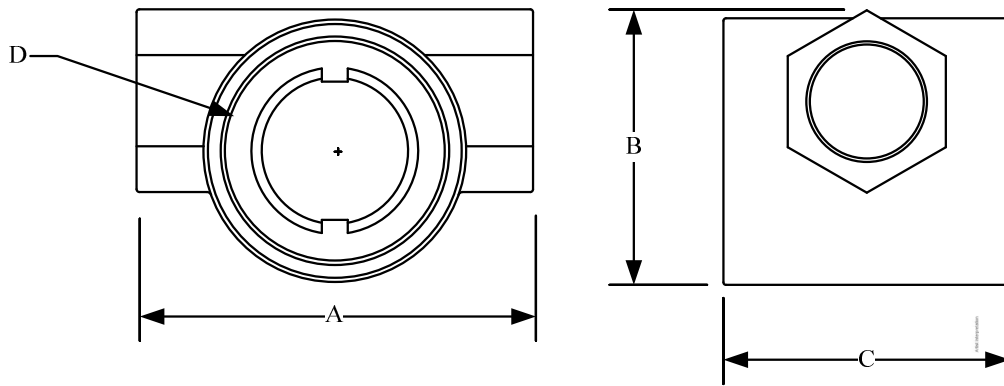
AXIOM INDUSTRIES LIMITED 2615 WENTZ AVENUE SASKATOON, SK S7K 5J1
TOLL FREE : (877) 651-1815 **PHONE :** (306) 651-1815 **FAX :** (306) 242-3373



INDUSTRIES LIMITED

DIMENSIONS

Size	Part #	Max. pressure	A	B	C	D
3/4"	ASFI-075	125psi (860kPa)	3.6" [92mm]	2.5" [63mm]	2.6" [67mm]	2" [51mm]
1"	ASFI-100	125psi (860kPa)	3.6" [92mm]	2.5" [63mm]	2.6" [67mm]	2" [51mm]



ACCESSORIES

- ASFI-K** – Sight Flow Rebuild kit includes: 2 glass windows, 2 O-rings, and 2 cork gaskets.
- ASFI-Tool** – Opening Tool

LIMITED WARRANTY

The Axiom ASFI sight flow indicator is warranted against defects in materials and workmanship for one year.

Project _____ Location _____
 Consultant _____ Contractor _____
 Unit Tag _____ Sales Agent _____